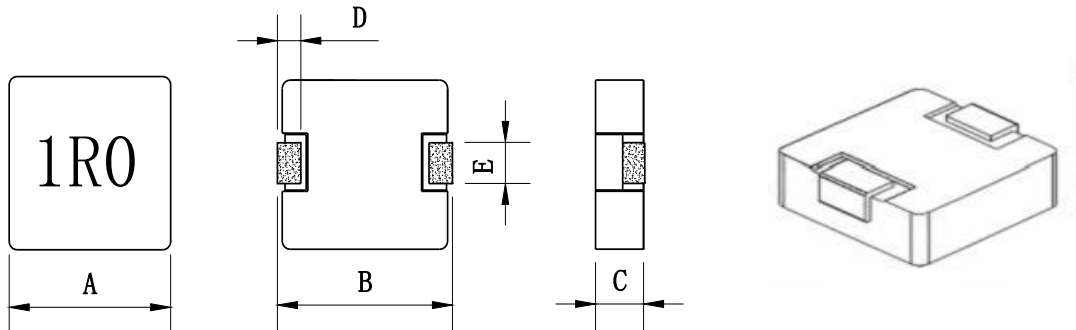


SMD POWER INDUCTORS : HSC6030 Series



Series	A (mm)	B (mm)	C (mm)	D (mm)	E (mm)
HSC6030	6.6 ± 0.2	7.4MAX	3.0MAX	1.6 ± 0.3	3.0 ± 0.2

Part Number	L0 Inductance (µH) ±20%	Heat Rating Current I _{rms} (A)	Saturation Current I _{sat} (A)	DCR (mΩ)	
				TYP.	MAX.
HSC6030-R82M-G/B	0.82	8.0	16.0	5.4	6.0
HSC6030-1R0M-G/B	1.0	7.5	15.0	8.1	9.2
HSC6030-1R5M-G/B	1.5	7.0	14.0	10.5	12.0
HSC6030-2R2M-G/B	2.2	6.0	12.0	13.5	15.0
HSC6030-3R3M-G/B	3.3	5.0	10	18.0	22.0
HSC6030-4R7M-G/B	4.7	4.5	9.0	28.0	38.0
HSC6030-5R6M-G/B	5.6	5.0	8.5	39.0	46.0
HSC6030-6R8M-G/B	6.8	4.5	7.5	44.0	50.0
HSC6030-8R2M-G/B	8.2	4.0	6.5	54.0	60.0
HSC6030-100M-G/B	10.0	3.5	5.5	65.0	75.0
HSC6030-150M-G/B	15.0	2.0	4.0	90.0	105.0
HSC6030-220M-G/B	22.0	2.5	3.0	125.0	135.0

*: you require another part number please contact with us.

** : Inductance Tolerance ± 20%

Note 1: All test data is referenced to 25°C ambient.

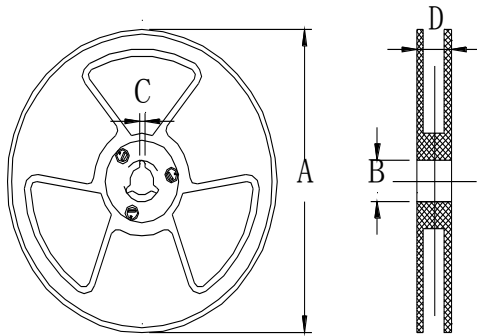
Note 2: I_{dc} : DC current (A) that will cause an approximate ΔT of 40°C

Note 3: I_{sat} : DC current (A) that will cause L₀ to drop approximately 30%

SMD POWER INDUCTORS:

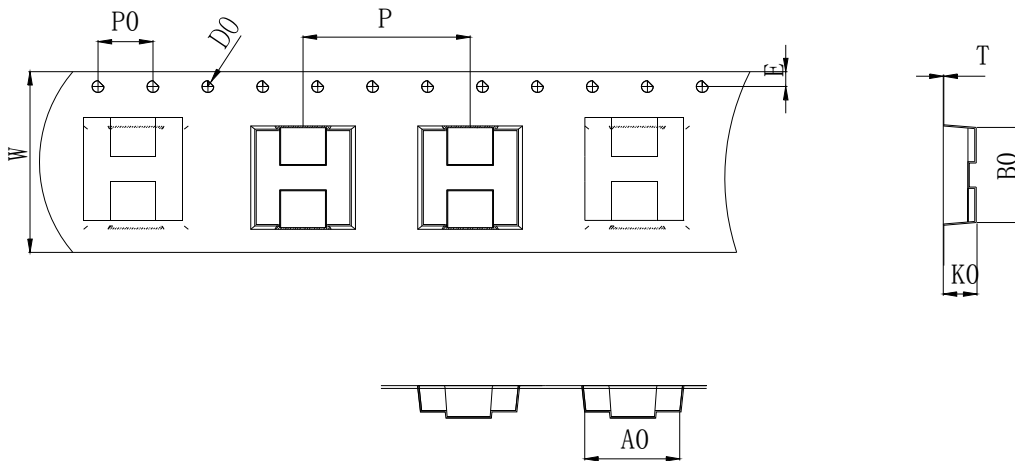
HSC-6030M Series

1. Reel Dimension



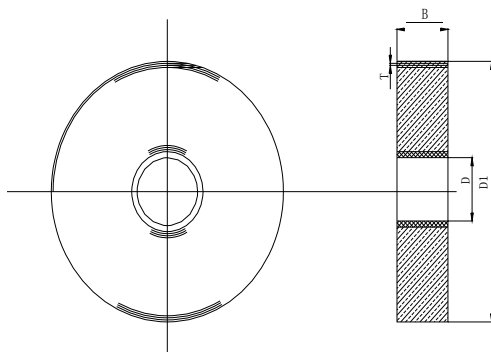
规格	13"
尺寸	
A	$\Phi 330 \pm 2.0\text{mm}$
B	$\Phi 76.5 \pm 2.0\text{mm}$
C	2.3mm
D	16mm (载带 $13.3 \pm 0.15\text{mm}$)

2. Tape Dimension



Size	W (mm)	A0 (mm)	B0 (mm)	D0 (mm)	E (mm)	K0 (mm)	P0 (mm)	P (mm)	T (mm)
6030	16.0 ± 0.3	6.8 ± 0.1	7.3 ± 0.1	1.5 ± 0.1	1.75 ± 0.1	3.0 ± 0.1	4.0 ± 0.1	12.0 ± 0.1	0.3 ± 0.05

3. Packaing Quantity



包装单位	包装尺寸	包装数量
1 盘	330*29mm	2000pcs
1 盒/3 盘	34*6.5*34cm	6000pcs
1 箱/2 盒	35.5*28.5*36.5cm	12000pcs